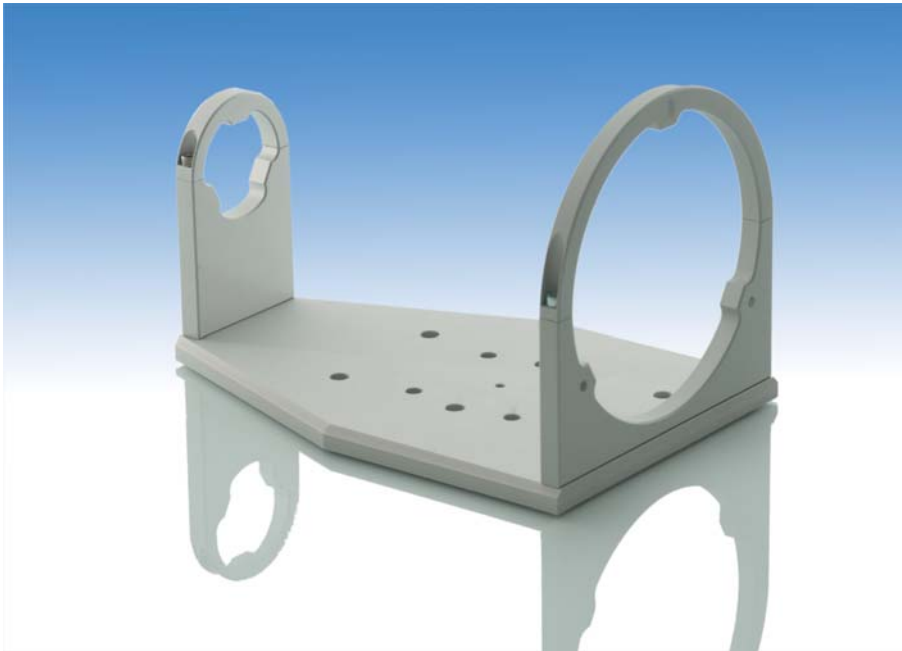
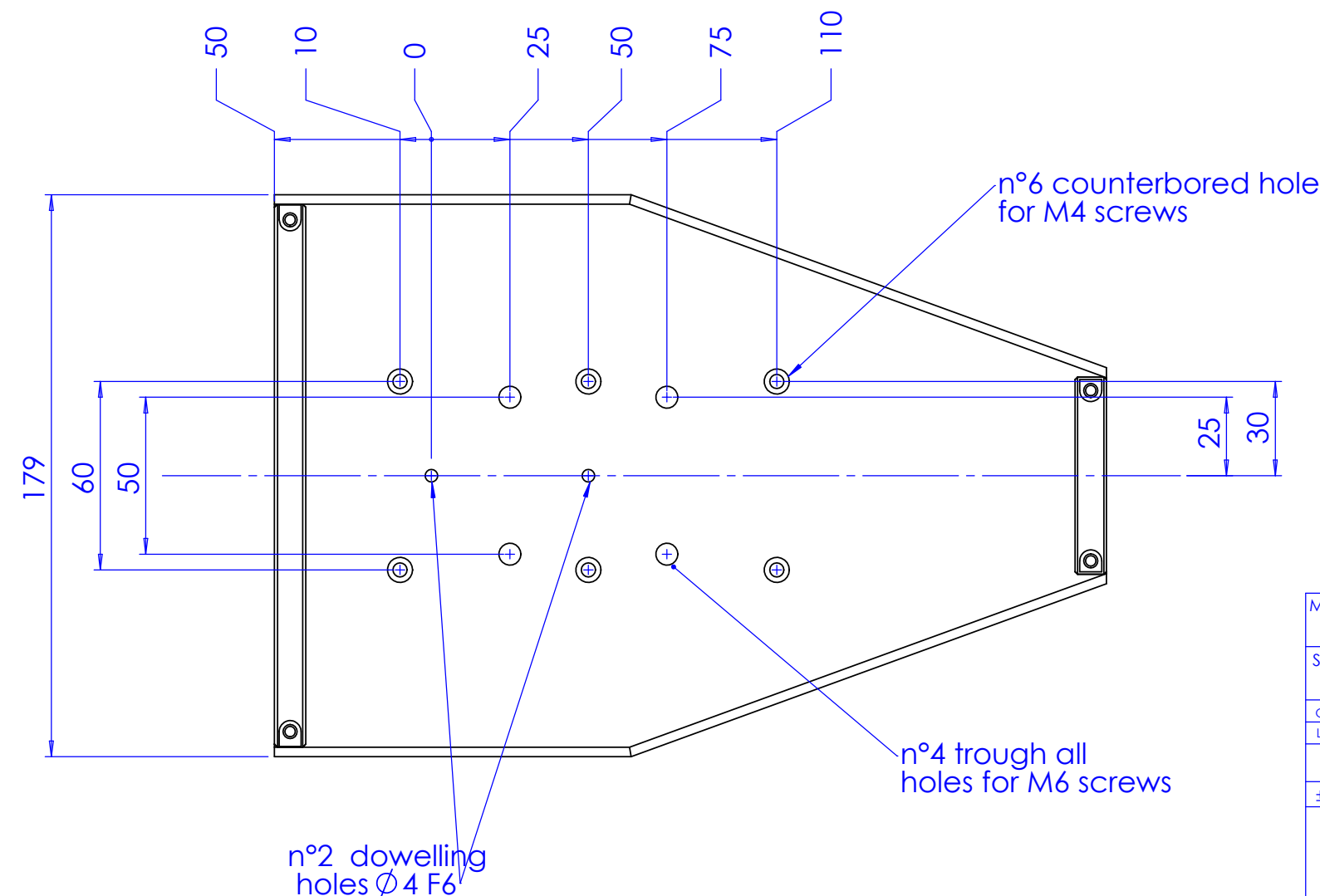
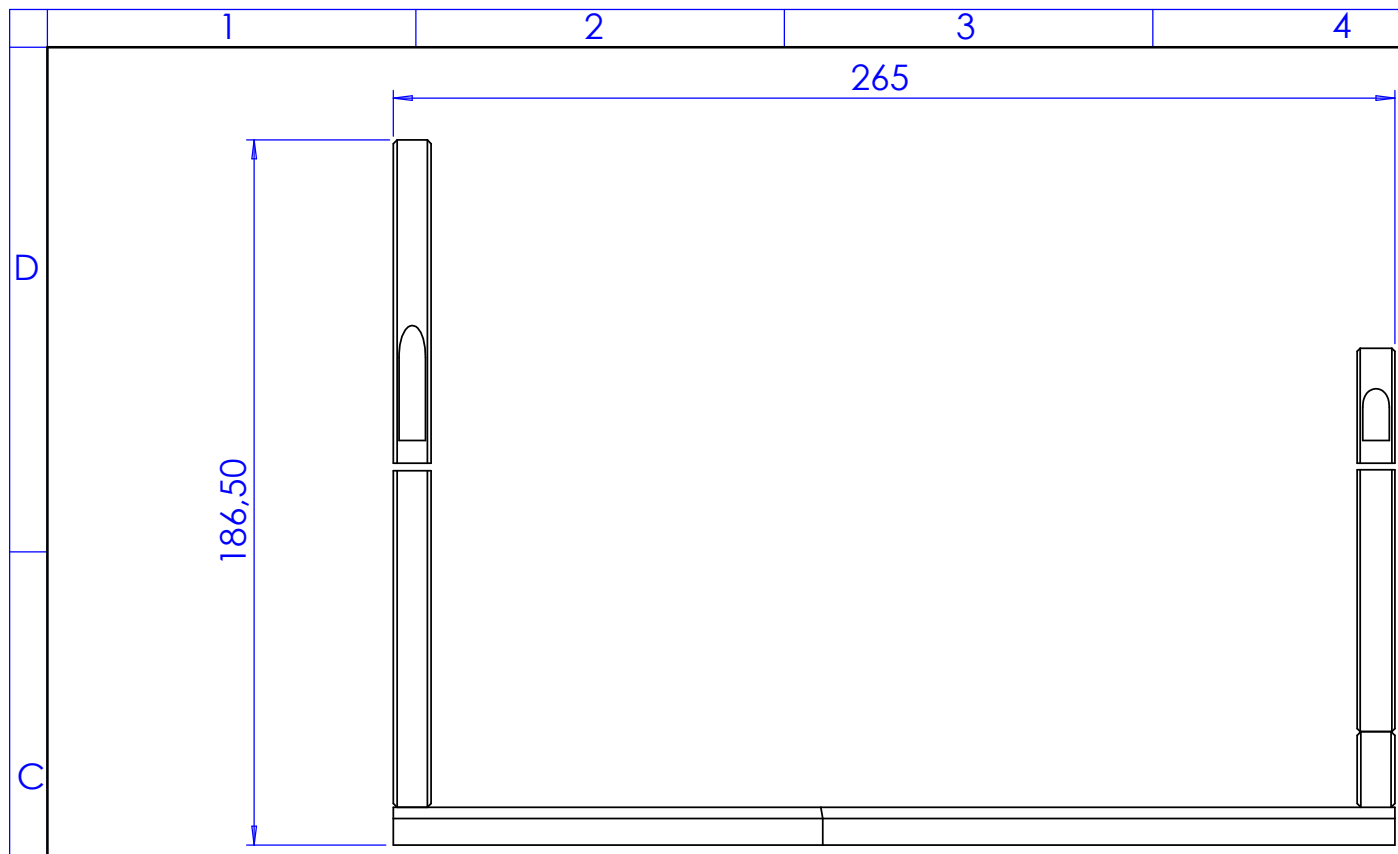


## CMH096

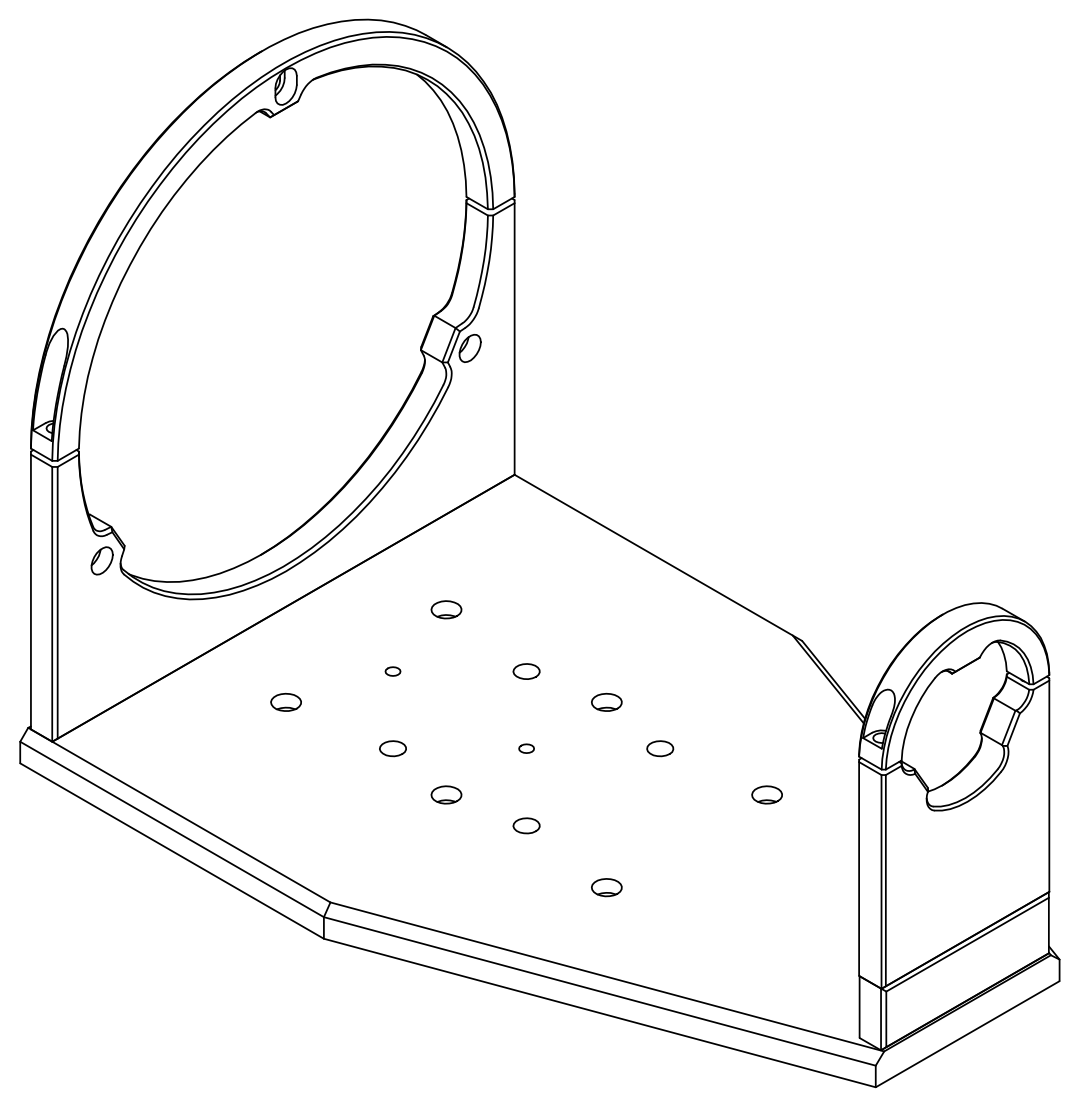
# Mechanical Holder for 96-type telecentric optics




part number	CMH096	
<b>Compatible Optics</b>		
Matrix Camera Telecentric		TC2385, TC1396, TC1296, TC2396
Large Detector Telecentric		TC4M85, TC4M96, TC2M96
Very Large Detector Telecentric		TC16M096
LT CL illuminators		LTCL96/x
<b>Compatible Plates</b>		CMP96
<b>Length</b>	(mm)	265,0
<b>Width</b>	(mm)	179
<b>Height</b>	(mm)	186,5
<b>Optical Axis Height</b>	(mm)	100,0
<b>Weight</b>	(g)	1400,0



Rev No.	Description	Date	Name
A	new part	16/09/09	N.Santini



Material <b>Aluminum - UNI EN 573 EN AW 6063</b>		Mass 1410g	Scale 1:2
Surface treatment <b>Gray Anodization</b>		Project-Prod.item/Instrument <b>CMHO96</b>	
Geometrical tolerance (ISO 2768-2)		Undimensioned bevels 0.5x45°	Description <b>CMHO96</b>
Linear tolerance (ISO 2768-2)			
0.5 ±3	>3± 6	>6± 30	>30± 120
		>120 ±400	>400± 1000
		>1000 ±2000	>2000 ±4000
±0.1	±0.1	±0.2	±0.3
		±0.5	±0.8
		±1.2	±2
Class		Undimensioned radii R 0.5	Drawing No. <b>18884-0-A</b>
Class		Date	Sheet 1/1
K		16/09/09	Reproduction forbidden without specific authorization
m		Name N.Santini	
m		Draw 16/09/09	
m		Checked X	Name C. Sedazzari
			
<b>OPTO ENGINEERING S.r.l. - 46100 Mantova Italy - Via Cremona, 29/2 - Tel/fax +39 0376 223525 - e-mail: info@opto-engineering.com - http://www.opto-engineering.com</b>			