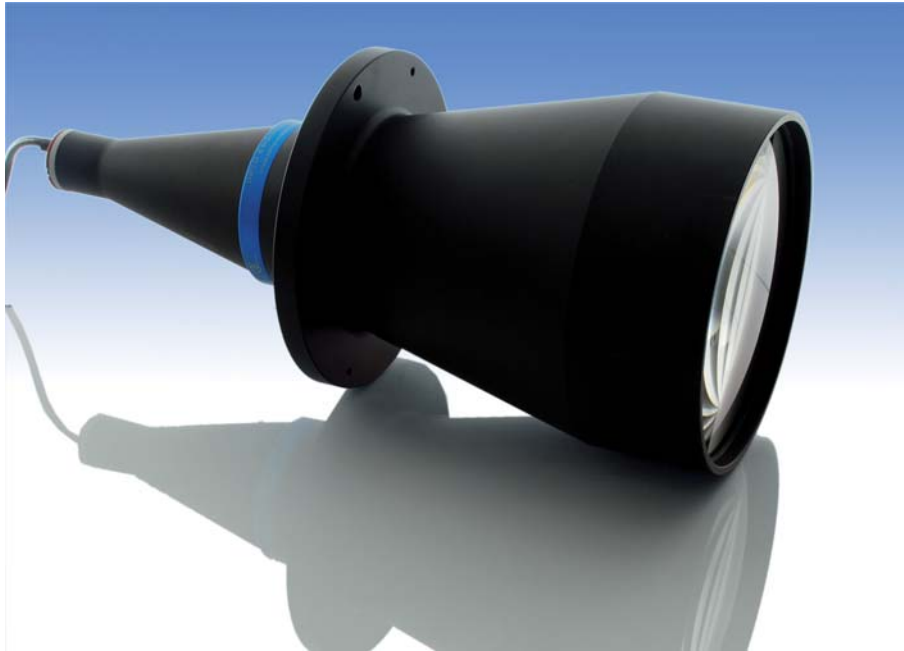


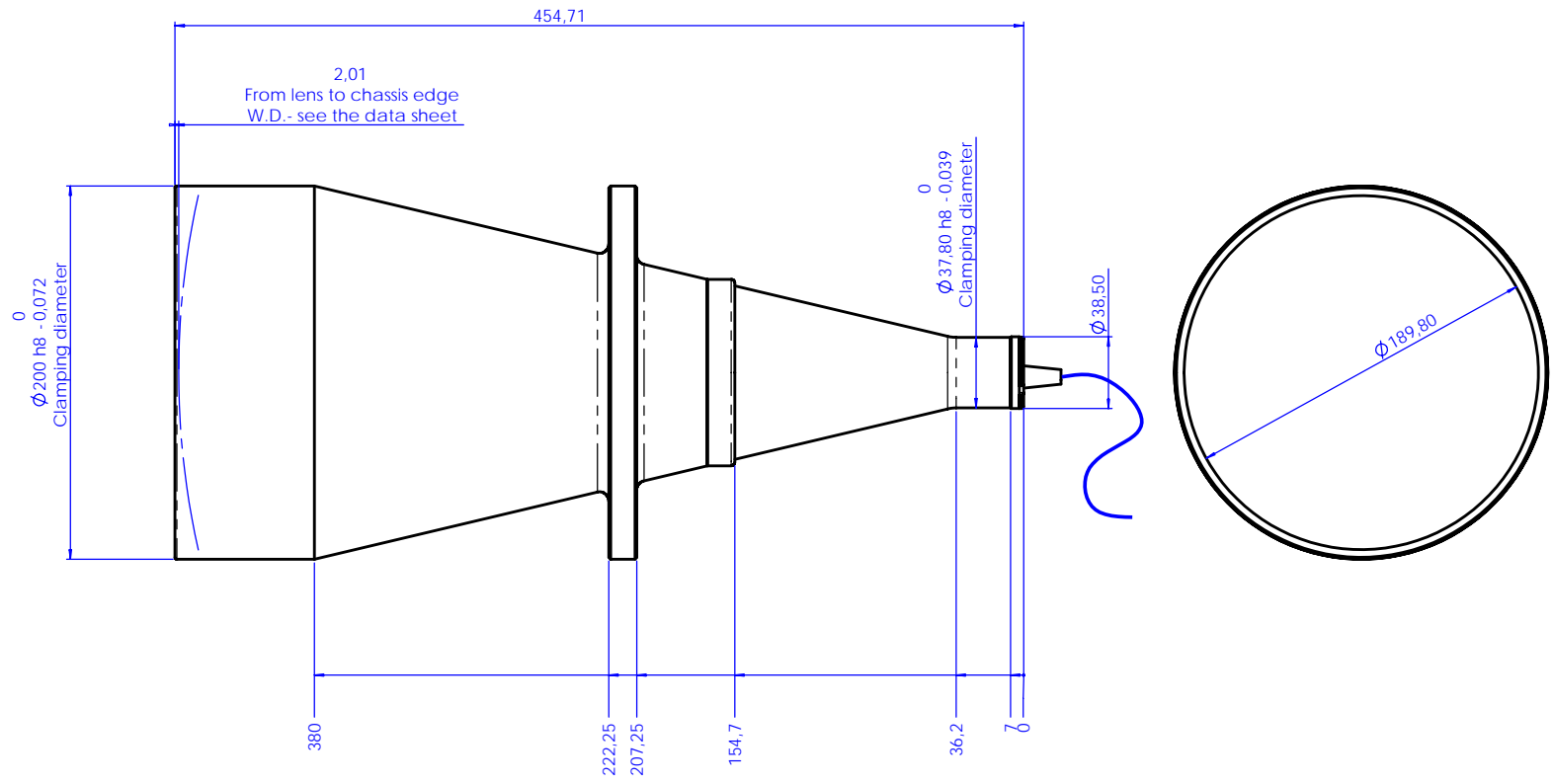
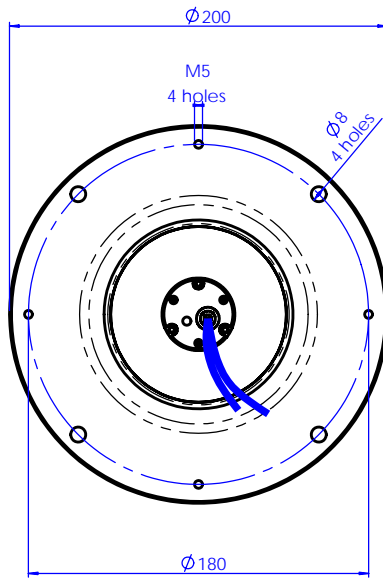
LT CL 144

Collimated Illuminator



part number	LT CL 144/X	
Beam Diameter	(mm)	180,0
Available Colours		
/R (red)		x
/G (green)		x
/B (blue)		
/W (white)		
/IR890 (IR, peak 890 nm)		
/IR890 (IR, peak 940 nm)		
Length	(mm)	454,7
Outer Diameter	(mm)	200,0
Compatible Telecentric Lenses		
	TC 13	n.a.
	TC 12	144
	TC 23	130, 144
	TC 4M	130, 144
	TC 2M	144
	TC16M	144
DEVICE POWER RATINGS		
DC Voltage	(volt)	12 to 24
Power Consumption	(watt)	< 2 watt
LED DIRECT DRIVE RATINGS		
for /W, /B and /G versions		
Max Forward DC Voltage	(volt)	3,5
Max Forward Current	(mA)	350
for /R version		
Max Forward DC Voltage	(volt)	2,5
Max Forward Current	(mA)	350
for /IR890 and /IR940 versions		
Max Forward DC Voltage	(volt)	1,6
Max Forward Current	(mA)	500 mA

Rev No.	Description	Date	Name
A	First light	06/02/07	A.Vismara
B	New LED holder	10/05/08	A.Vismara



Material	N.A.	Mass	6.1 kg	Scale	1:2
Surface treatment	N.A.	Project-Prod.Item/Instrument	LT CL 144		
Geometrical tolerance (ISO 2768-2)		Class	K	Undimensioned Bevels	1x45°
Linear tolerance (ISO 2768-2)		Class	m	Undimensioned Radii	R 0.5
0.5	>3-	>6-	>30-	>120	>400-
-3	6	30	120	400	1000
±0.1	±0.1	±0.2	±0.3	±0.5	±0.8
		Class	µm	±2	±1.2
www.opto-engineering.com		Date	Name		
Designed		10/05/08	A.Vismara		
Draw		10/05/08	A.Vismara		
Checked		x	C.Sedazzari		
Description		Assembly			
Drawing No.		01282-0-B			
Sheet		1/1			
OPTO ENGINEERING S.r.l. - 46100 Mantova Italy - Via Cremona, 29/2 - Tel. +39 0376 263525 - e-mail: info@opto-engineering.com - http://www.opto-engineering.com					