

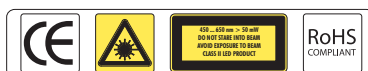


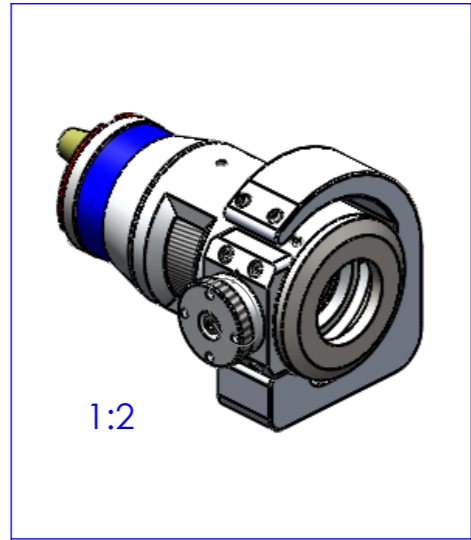
LT PR SM 3W/W

3D Scheimpflug LED Pattern Projector, White



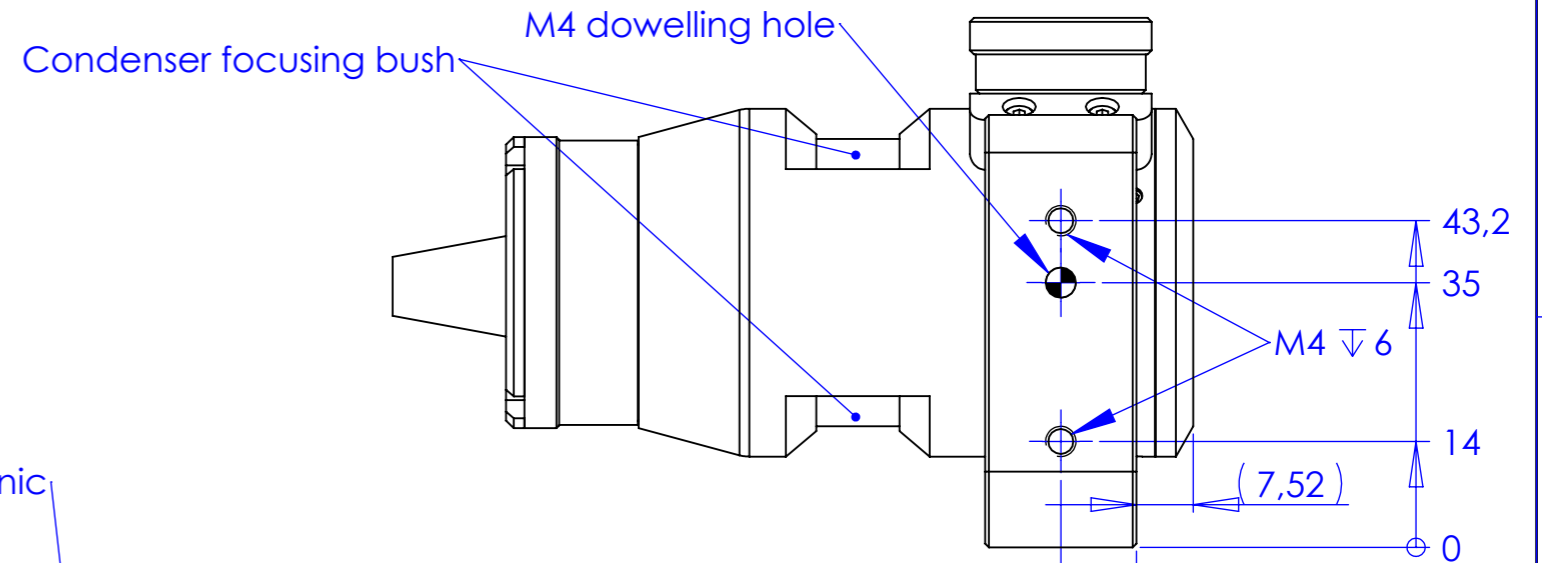
Part Number		LTPRSM3W/W
Light Color, wavelength peak		white
Output Flux	(lumen)	21,0
DEVICE POWER RATINGS		
Minimum DC Voltage	(volt)	12
Maximum DC Voltage	(volt)	24
Power Consumption	(watt)	< 2
LED DIRECT DRIVE RATINGS		
Forward DC Voltage	(volt)	3,5
Forward Current	(mA)	300,0
Pulse Ratings @0,1 duty/1kHz	(mA)	< 1800





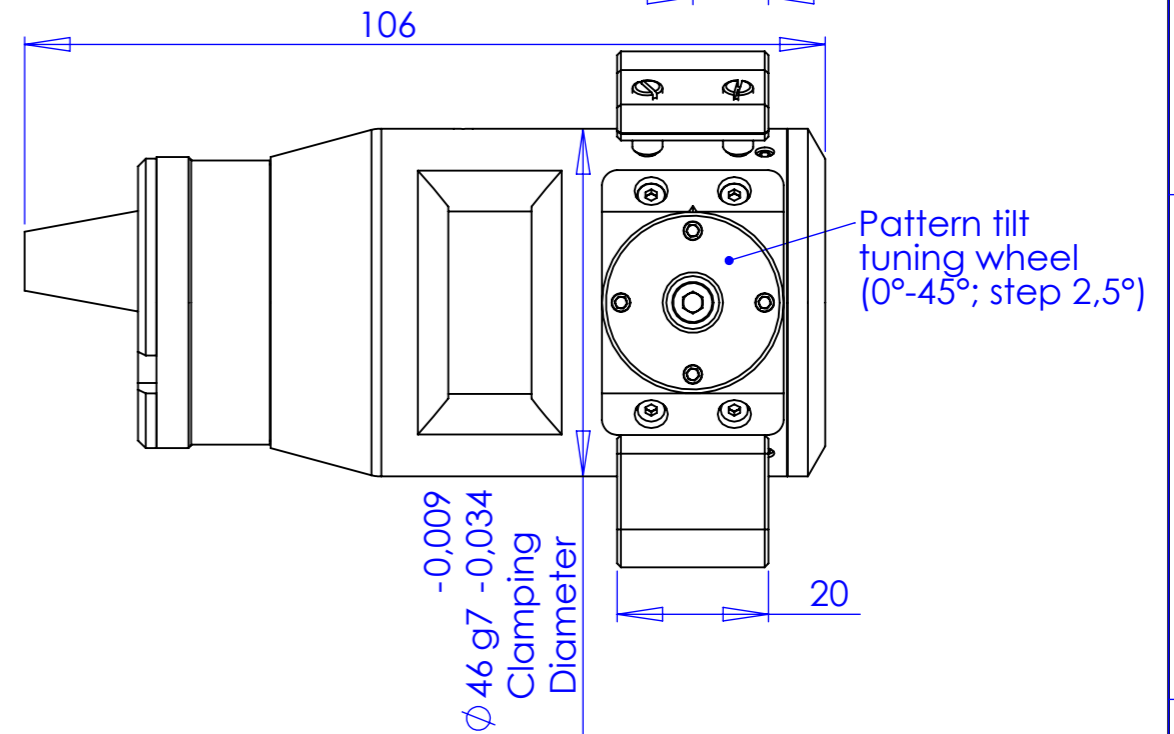
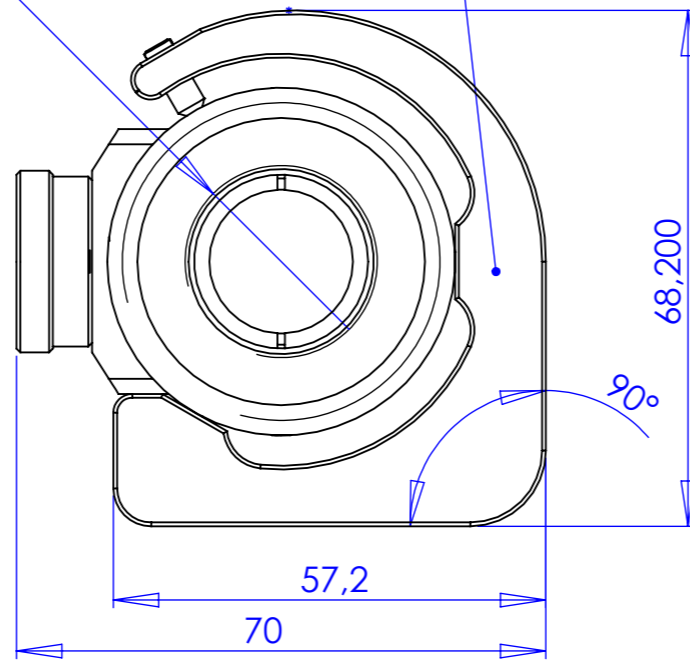
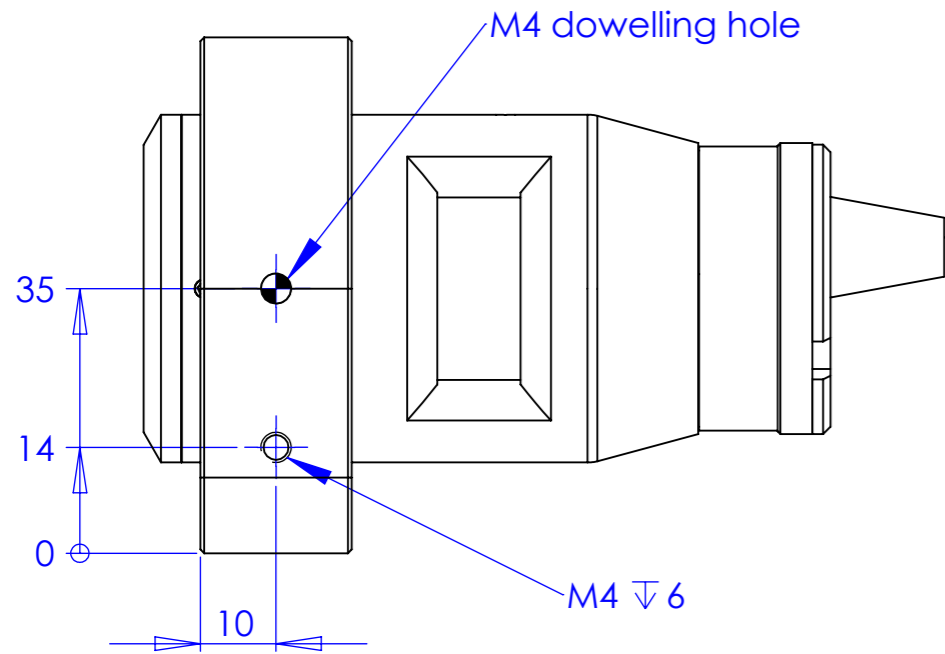
1:2

$\oplus 0.1$



Clamping mechanic

C-mount



Material		N.A.		Mass		360 g		Scale		1:1	
Surface treatment		N.A.		Project-Prod.item/Instrument		LTPRSM		Description		Scheimpflug mount pattern projector	
Geometrical tolerance (ISO 2768-2)						Class	K	Undimensioned bevels	0.5x45°	Drawing No.	
Linear tolerance (ISO 2768-2)						Class	m	Undimensioned radii	R 0.5	Sheet	
0.5	>3	>6	>30	>120	>400	>1000	>2000		19621-0-A	1/1	
±3	±6	±30	±120	±400	±1000	±2000	±4000		Reproduction forbidden without specific authorization		
±0.1	±0.1	±0.2	±0.3	±0.5	±0.8	±1.2	±2				
<p>OPTO ENGINEERING THE TELECENTRIC COMPANY</p>		Date		Name		Drawing No.		Sheet			
		Designed		10/01/11							
		Draw		10/01/11							
		Checked		X							
<p>OPTO ENGINEERING S.r.l. - 46100 Mantova Italy - Via Cremona, 29/2 - Tel. +39 0376 263525 - e-mail: info@opto-engineering.com - http://www.opto-engineering.com</p>											