

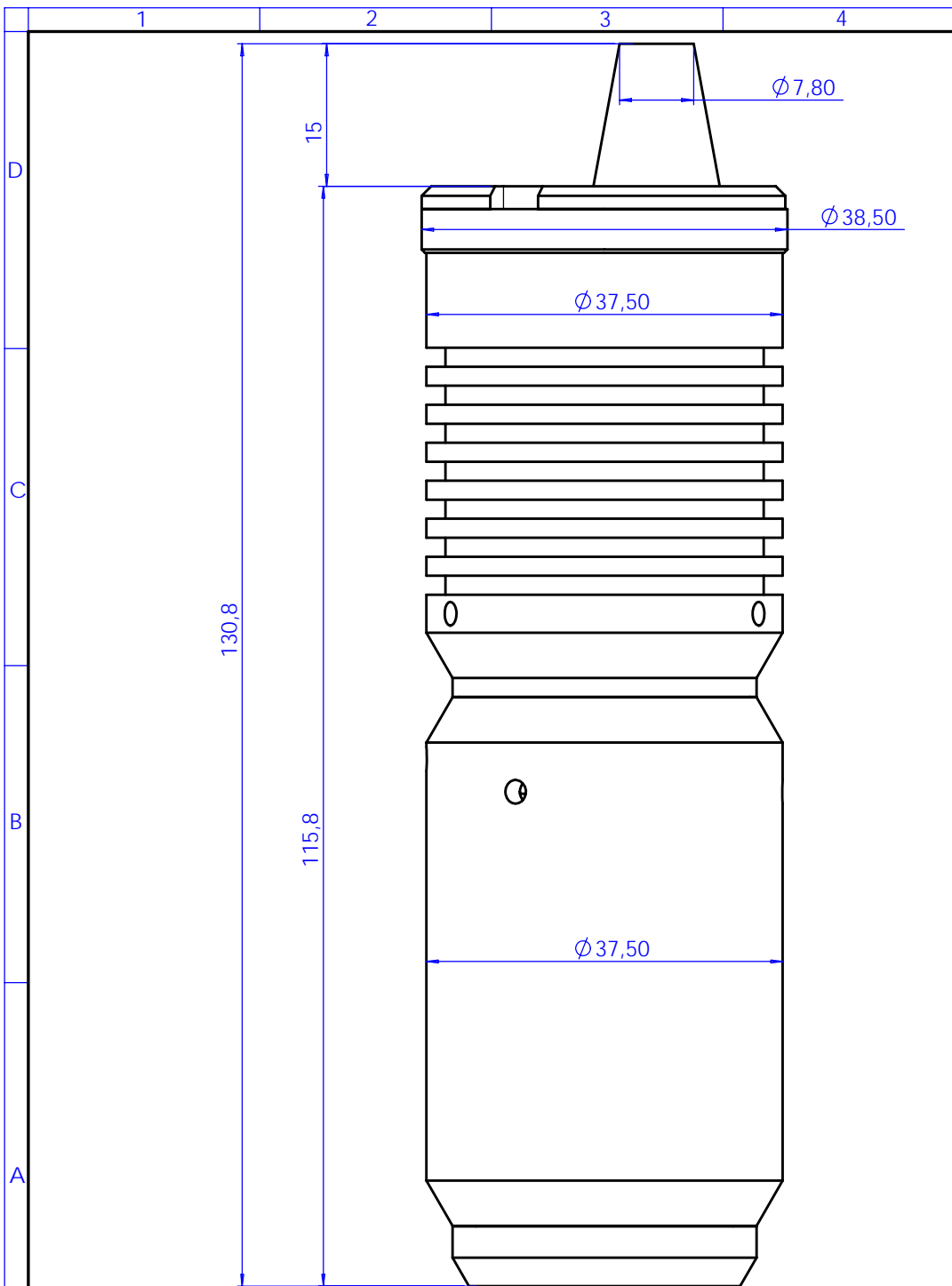
# LT SP 36/R

1 W SPOT ILLUMINATOR, RED

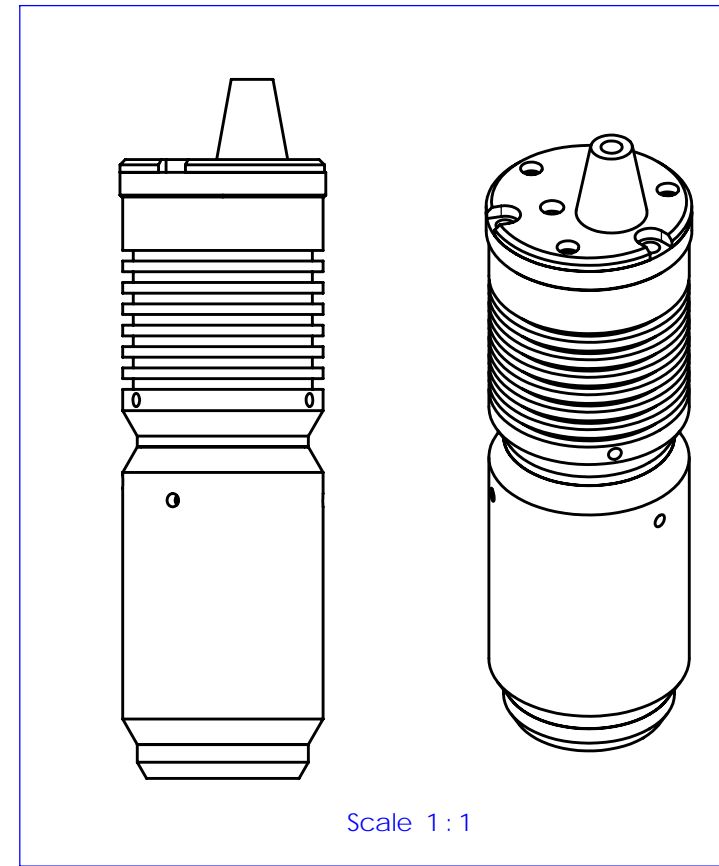


Part Number		LTSP36/R
Light Color, wavelength peak		red, 630 nm
Illuminance (Irradiance)	@ 100 mm	8 klux
Illuminance (Irradiance)	@ 200 mm	2 klux
Illuminance (Irradiance)	@ 300 mm	1 klux
DEVICE POWER RATINGS		
Minimum DC Voltage	(volt)	12
Maximum DC Voltage	(volt)	24
Power Consumption	(watt)	< 2
LED DIRECT DRIVE RATINGS		
Forward DC Voltage	(volt)	2,3
Forward Current	(mA)	350
Pulse Ratings @0,1 duty/1kHz	(mA)	< 1800

MECHANICAL DRAWINGS: see next page >>



Rev No.	Description	Date	Name
A	Nuovo pezzo	21/03/03	A.Vismara
B	Redesign	05/12/07	A.Vismara



Scale 1 : 1

Material	N.A.		Mass	267 g	Scale	2:1	
Surface treatment	N.A.		Project-Prod.Item/Instrument LTSP				
Geometrical tolerance (ISO 2768-2)		Class	K	Undimensioned bevels	1x45°	Description <b>MECHANICAL LAYOUT</b>	
Linear tolerance (ISO 2768-2)		Class	m	Undimensioned radii	R 0.5		
0.5 +3	>3- 6	>6- 30	>30- 120	>120 +400	>400- 1000	>1000 +2000	>2000 +4000
±0.1	±0.1	±0.2	±0.3	±0.5	±0.8	±1.2	±2
		Date	Name	Drawing No.		Sheet	
www.opto-engineering.com		Designed	17/03/03	A.Vismara	03520-0-B	1/1	
		Draw	05/12/07	A.Vismara			
		Checked	X	C. Sedazzari			
OPTO ENGINEERING S.r.l. - 46100 Mantova Italy - Via Cremona, 29/2 - Tel. +39 0376 229585 - e-mai: info@opto-engineering.it - http://www.opto-engineering.com							

Reproduction forbidden without specific authorization