

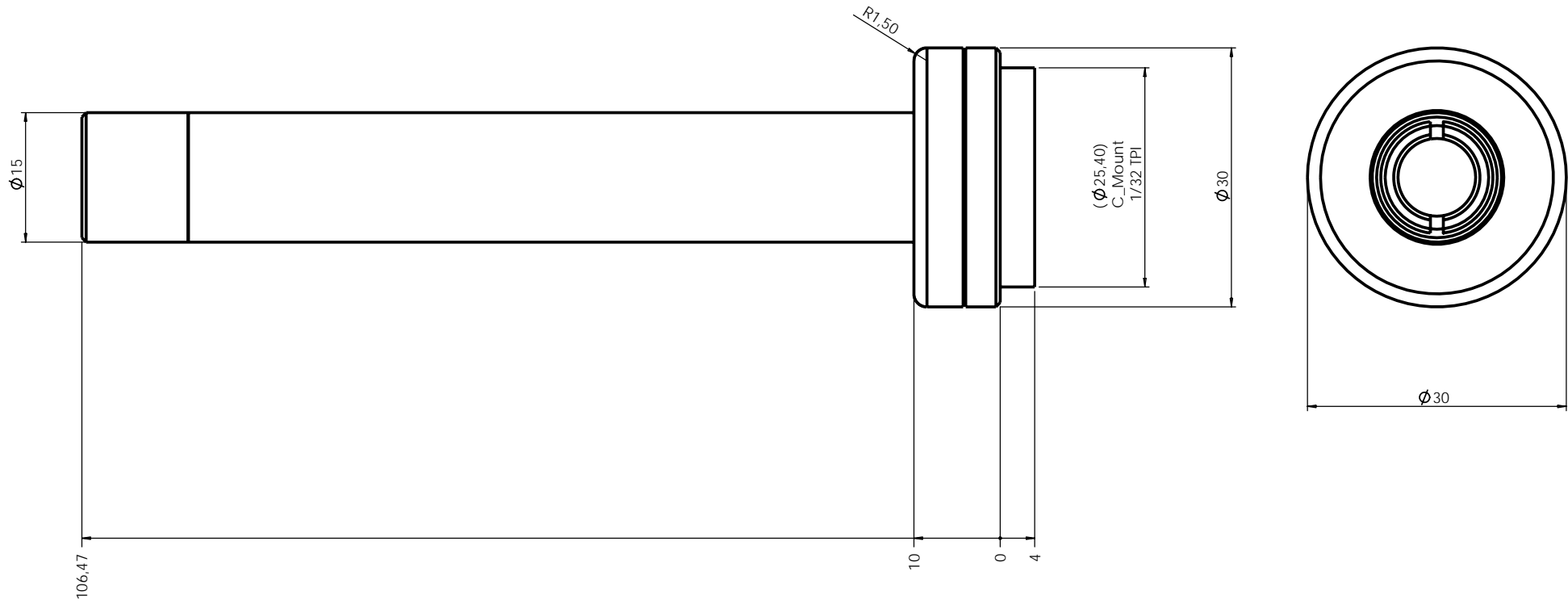
MC3.00X

3X Zero Distortion Macro Lens For 2/3" Detector



| part number | MC3.00X | |
|--------------------------|-----------|-----------|
| Magnification | | 3,00 |
| Field Of View | (mm x mm) | |
| 1/4" (3,6 mm x 2,7 mm) | | 1,2 x 0,9 |
| 1/3" (4,8 mm x 3,6 mm) | | 1,6 x 1,2 |
| 1/2" (6,4 mm x 4,8 mm) | | 2,1 x 1,6 |
| 1/1.8" (7,0 mm x 5,3 mm) | | 2,3 x 1,8 |
| 2/3" (8,8 mm x 6,6 mm) | | 2,9 x 2,2 |
| Working Distance | (mm) | 29 |
| Distortion | (%) | <0,01 |
| F-number | | 20 |
| Field Depth | (mm) | 0,2 |
| Length | (mm) | 107 |
| Diameter | (mm) | 15,0 |
| Height | (mm) | 30 |
| Mount | | C-mount |

| Rev No. | Description | Date | Name |
|---------|----------------|----------|------|
| B | MC3.00X layout | 20/11/09 | |



| | | | | | | | | | |
|--|------|----------|------|-------|-------|---|--------|-------------------------------|-----|
| Material | | N.A. | | | | Mass | 50 gr. | Scale | 2:1 |
| Surface treatment | | N.A. | | | | Project-Prod.Item/Instrument MC3.00X | | | |
| Geometrical tolerance (ISO 2768-2) | | | | Class | K | Undimensioned bevels | | 1x45° | |
| Linear tolerance (ISO 2768-2) | | | | Class | m | Undimensioned radii | | R 0.5 | |
| 0.5 | >3- | >6- | >30+ | >120 | >400+ | >1000 | >2000 | Description MC3.00X layout | |
| -3 | 6 | 30 | 120 | +400 | 1000 | +2000 | +4000 | | |
| ±0.1 | ±0.1 | ±0.2 | ±0.3 | ±0.5 | ±0.8 | ±1.2 | ±2 | | |
| | | Date | | Name | | Drawing No. | | Sheet | |
| Designed | | 15/10/09 | | | | 13811-7-B | | 1/1 | |
| Draw | | 20/11/09 | | | | Reproduction forbidden without specific authorization | | | |
| Checked | | X | | | | | | | |
| OPTO ENGINEERING S.r.l. - 46100 Mantova Italy - Via Cremona, 29/2 - Tel. +39 0376 263565 - e-mail: info@opto-engineering.com - http://www.opto-engineering.com | | | | | | | | | |