

TC 2M 192

Bi-Telecentric Lens for Large Detectors up to 1" (16 mm diagonal)



part number		TC 2M 192 (/C/F)
Magnification		0,067 +/- 3%
Field Of View	(mm)	
with IBIS4-6600		157,6 x 116,0
with KAI2020		177,7 x 133,3
with KAI 2093		213,2 x 119,9
Working Distance	(mm)	531,0 +/- 16
Working F-number		16
Telecentricity	(degree)	< 0,1
Distortion	(%)	< 0,1
Field Depth	(mm)	259,0
CTF @50 lp/mm	(%)	> 30
Image side N.A.		0,0310
Object side N.A.		0,0020
Mount		C or F
Length	(mm)	707,6
External diameter	(mm)	260,0
Weight	(g)	11800

ACCESSORIES AND OPTIONS:

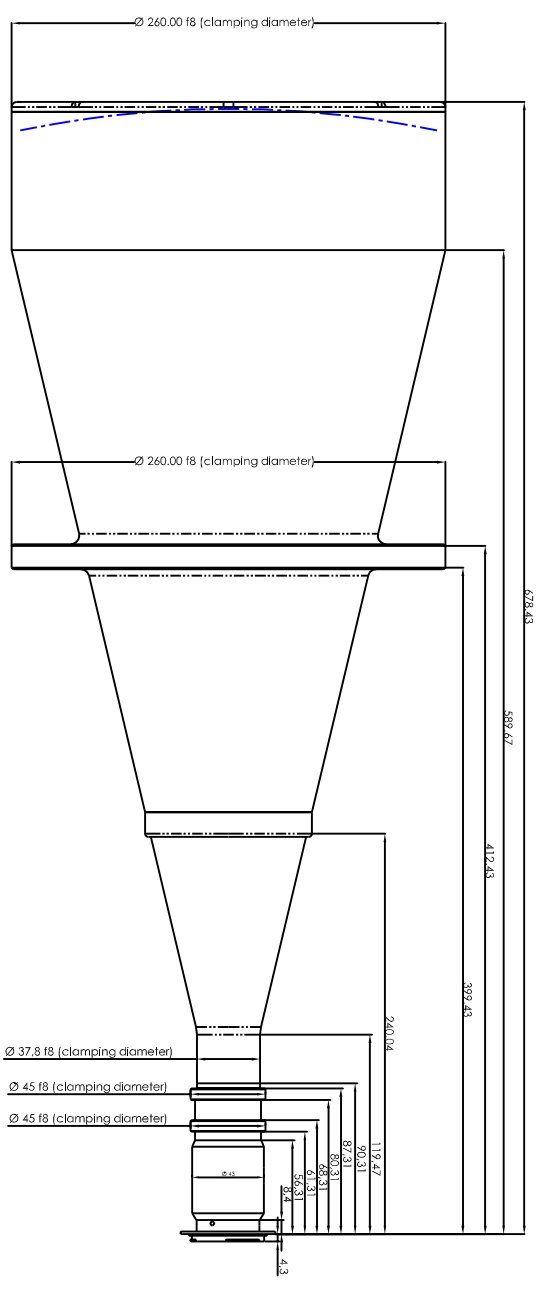


Collimated/Telecentric illumination:

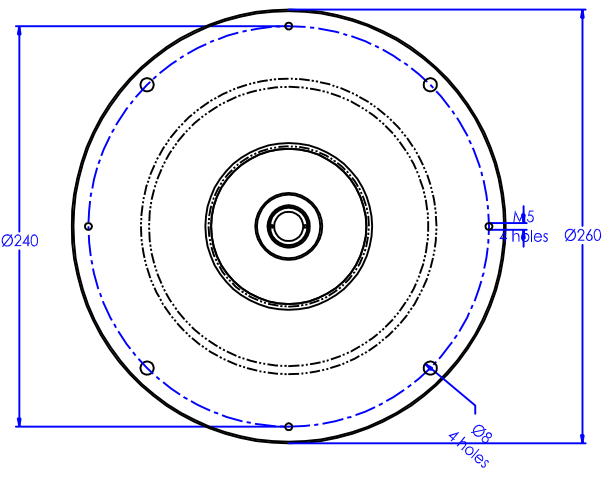
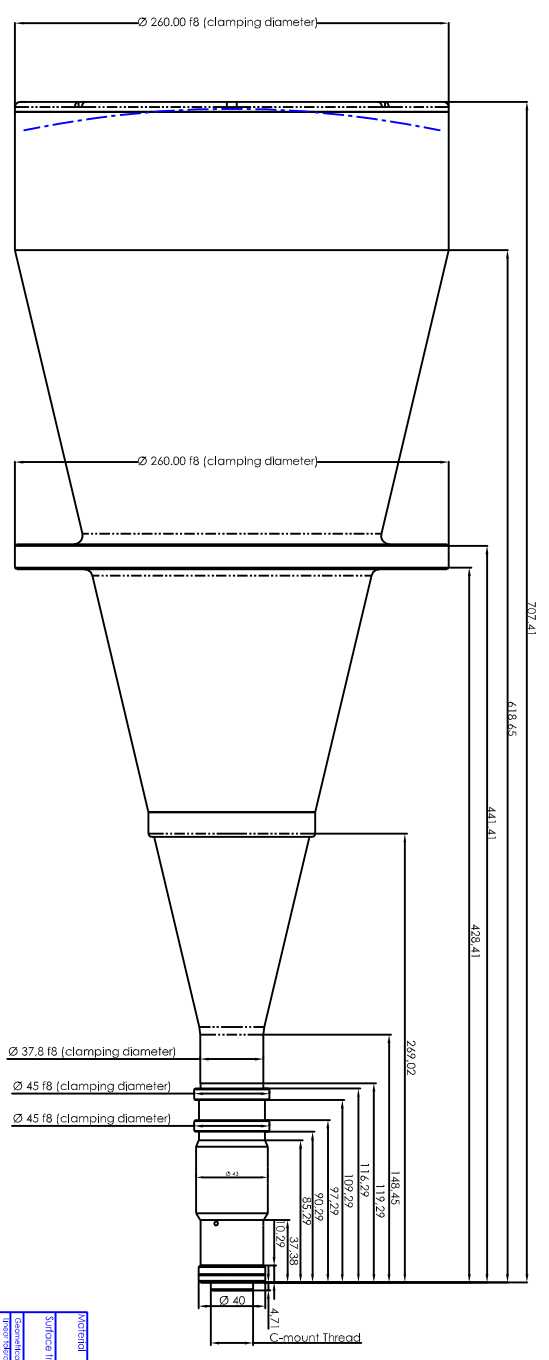
Compatible with LTCL192 illuminator;
green light suggested.

Rev. No.	Description	Date	Name
A	First light	10/03/06	A.Vismirca

TC 2M 192/F (F-mount)



TC 2M 192/C (C-mount)



Material	N.A.	Mass	5,7 kg	Scale	1:1
Surface treatment	N.A.	Project/Environment	Telecentric lens TC 2M 192		
Assembly		Description	Assembly		
Design	10/03/06	Author	A.Vismirca	Drawing No.	18319-0-A-TC2M192
Drawn	10/03/06	Checked	C.Sedczik	Sheet	1/1
Checked	X				

