

TCCAGE2396

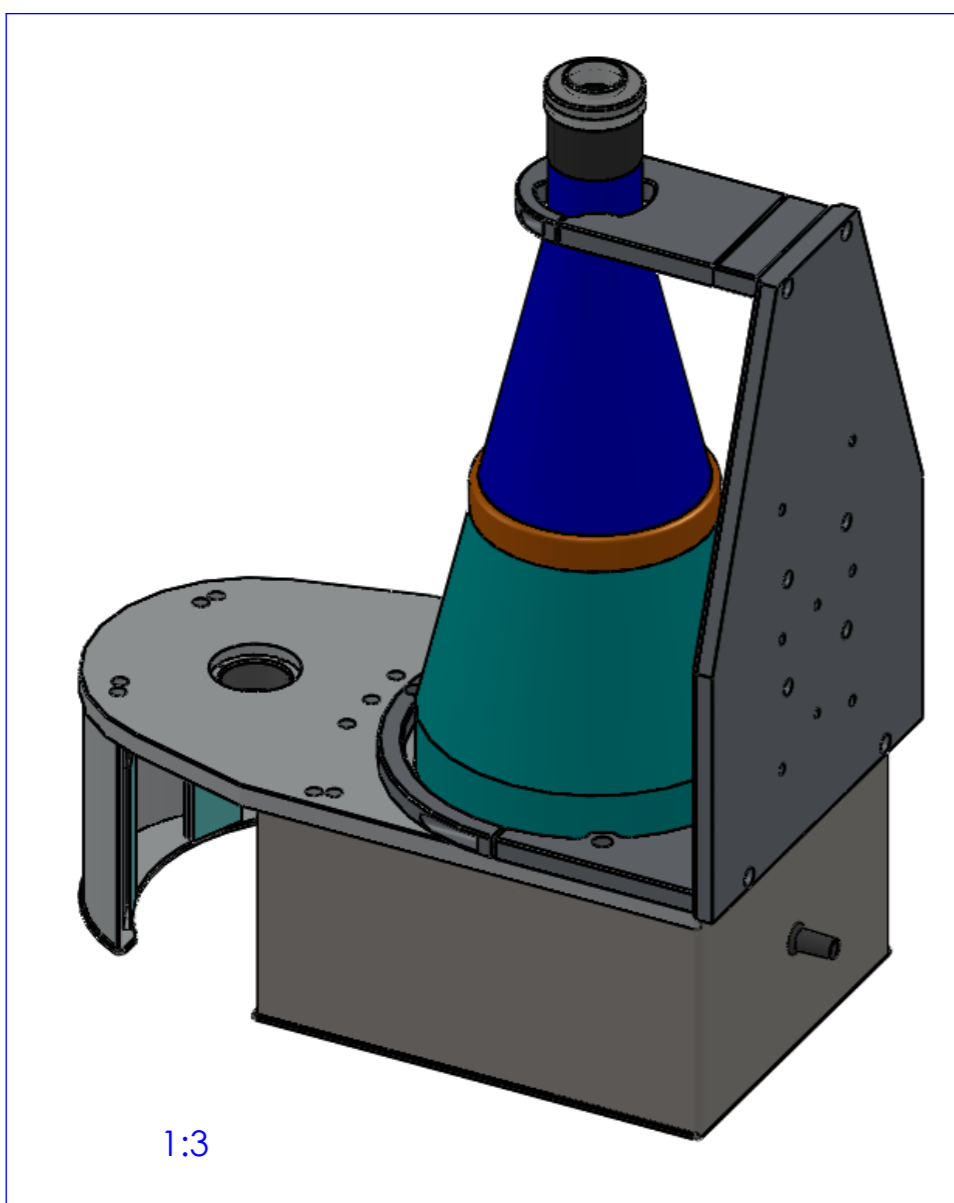
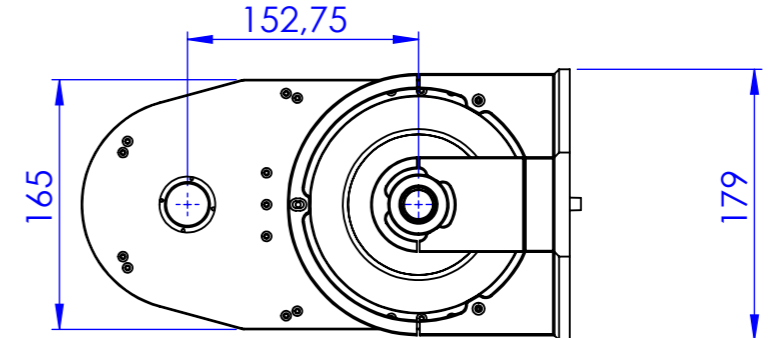
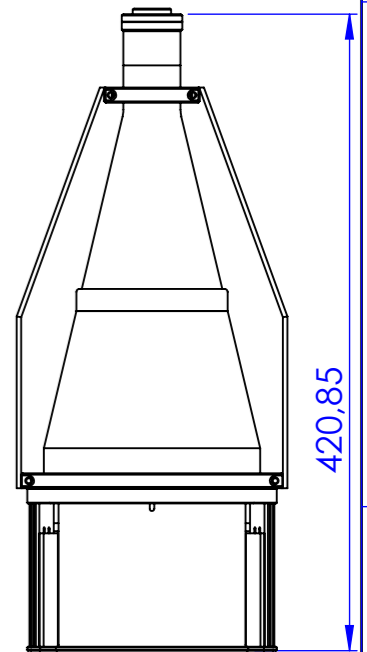
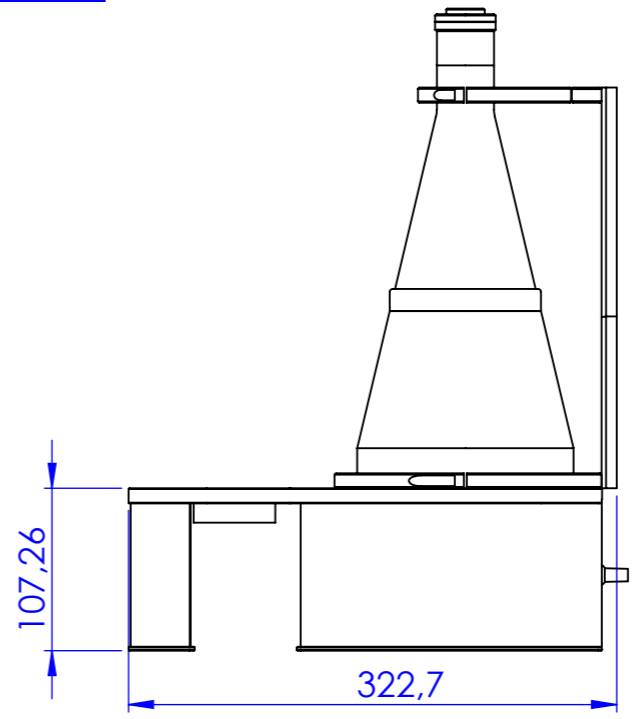
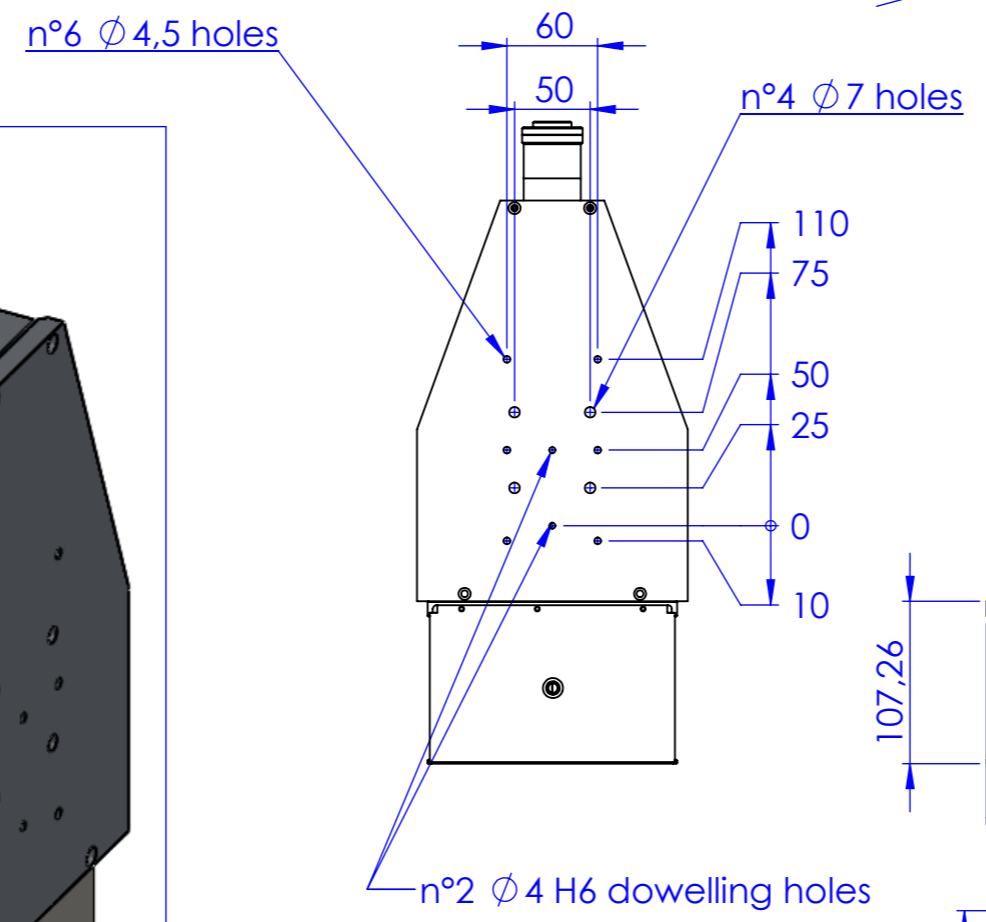
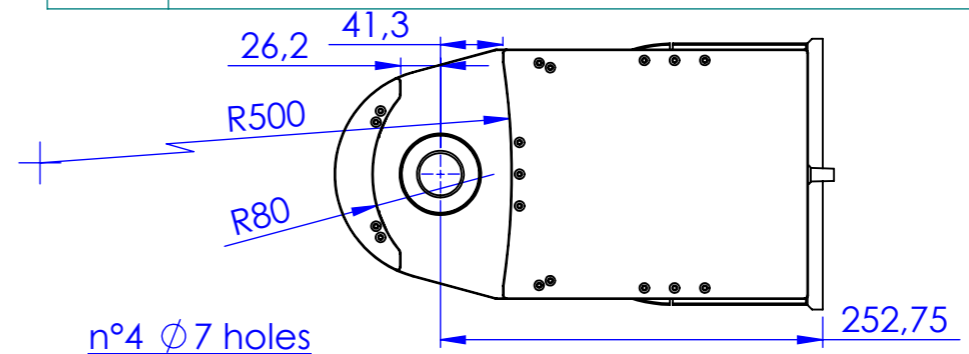
TCCAGE optics for 2/3" detector



part number		TCCAGE2396
detector size		2/3"
max. object diameter:	(mm)	16
max. object height:	(mm)	68
wavelength range	(nm)	450 .. 650
CTF @ 70 lp/mm	(%)	> 40
f-number		8
width	(mm)	179
length	(mm)	323
height	(mm)	421
weight	(g)	5800
mount		C
Ring Illumination Voltage	(V, DC)	24
Ring Illumination Power	(watt)	3
Coax. Illumination Voltage	(V, DC)	24
Ring Illumination Power	(watt)	18

1 2 3 4 5 6 7 8

Rev No.	Description	Date	Name
A		12/05/10	



1:3

Material	N.A.		Mass	6120 g	Scale	1:5	
Surface treatment	N.A.		Project-Prod.item/Instrument TCCAGE96				
Geometrical tolerance (ISO 2768-2)			Class	K	Undimensioned bevels	0.5x45°	
Linear tolerance (ISO 2768-2)			Class	m	Undimensioned radii	R 0.5	
0.5 ±3	>3÷ 6	>6÷ 30	>30÷ 120	>120 ±400	>400÷ 1000	>1000 ±2000	>2000 ±4000
±0.1	±0.1	±0.2	±0.3	±0.5	±0.8	±1.2	±2
			Date	Name	Drawing No.		
			Designed	12/05/10	19451-0-B		
			Draw	12/05/10	Sheet 1/1		
			Checked	X C.Sedazzari	Reproduction forbidden without specific authorization		
OPTO ENGINEERING S.r.l. - 46100 Mantova Italy - Via Cremona, 29/2 - Tel. +39 0376 263565 - e-mai:info@opto-engineering.com - http://www.opto-engineering.com							

1 2 3 4 5 6 7 8

0 1 2 3 4 5 6 7 8 9 10